

SQUARE FINNED ELEMENTS



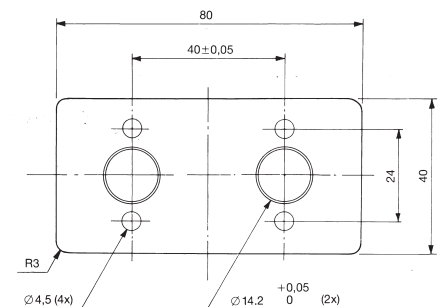
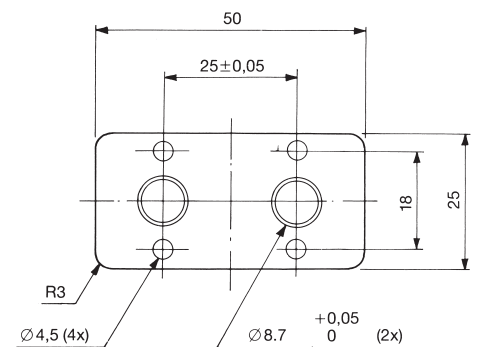
Description

Heating element with diam 8, 8.5, 10 and 14 mm can be fitted with fins to increase their heat dissipation surfaces. Fins are available in steel for soldering or in aluzinc for press-fitting to tubular elements. Fin material varies depending on choice of tubular diameter.



Technical specification

Material	Steel - Grade D Stainless steel: AISI 304/EN1.4301 AISI 316L/EN 1.4404 Incoloy 800/EN 1.4876 R 323/EN1.4828 Bricks in aluzink
Assembly	Nipples, fixing plate etc. acc. to customer spec.
Brick dimension	50x25 mm, 70x40 mm 80x40 mm
Connection	M4, cables, flat pin acc. to customer spec.
Designs	One- or two-end connection
Voltage	Max 600 V
Safety	The elements meet requirements acc. to EN 60335-1
Others	Can be soldered for higher performance



Example of dimensions

Tubular Elements

BENEFITS

- Reduced surface temperature
- Increased radiation area
- Compact design of application possible

FIELDS OF APPLICATION

- Radiators
- Heat curtains
- Convectors
- Frost protection



Radiator